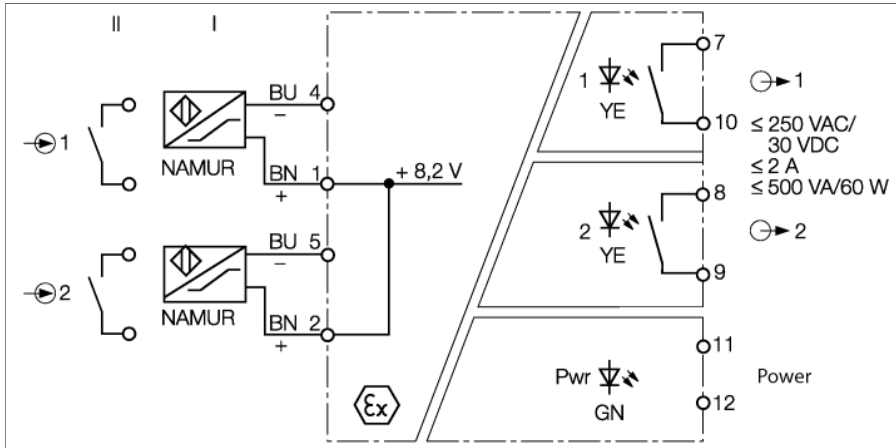


Isolating switching amplifier 2-channel IM12-22EX-R



The 2-channel IM12-22EX-R isolating switching amplifier is equipped with intrinsically safe input circuits.

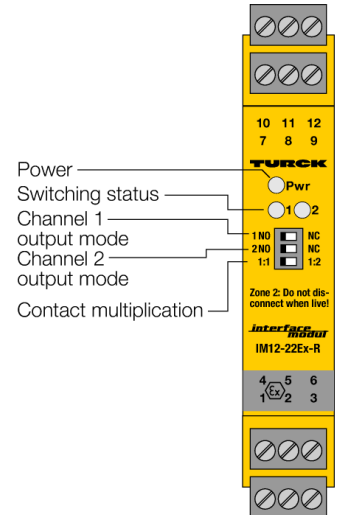
Sensors according to EN 60947-5-6 (NAMUR) or potential-free contactors can be connected to the device.

The output circuits feature 2 relays, each with 1 NO contact.

The output mode (working or quiescent current behavior, i.e. NO/NC) can be set via three switches on the front. The switching state of channel 1 is thereby transmitted to outputs 1 and 2.

The Pwr LED lights green to indicate operational readiness. LED 1 lights yellow to indicate the switching status of the output.

- 2 relay outputs (NO)
- Output mode adjustable (NO/NC mode)
- Multiplexing of signals possible
- Complete galvanic isolation
- Input reverse-polarity protected
- ATEX, IECEx, cUL, cFM, CSA, TR CU, NEPSI, KOSHA, TIIS, CCOE, INMETRO
- Installation in zone 2



Type	IM12-22EX-R
ID	7541233
Nominal voltage	Universal voltage supply unit
Operating voltage	20...250 VAC
Frequency	40...70 Hz
Operating voltage U_s	20...125 VDC
Power consumption	≤ 3 W

Input	2-channel or 1-channel with signal doubling
NAMUR input	
NAMUR	EN 60947-5-6
No-load voltage	8.2 VDC
Short-circuit current	8.2 mA
Input resistance	1 k Ω
Cable resistance	≤ 50 Ω
Switch-on threshold	1.55 mA
Switch-off threshold	1.75 mA

Output circuits	
Output circuits (digital)	2 x relays (NO)
Output switching voltage relay	≤ 30 VDC / ≤ 250 VAC
Switching current per output	≤ 2 A
Switching capacity per output	≤ 500 VA/60 W
Switching frequency	≤ 10 Hz

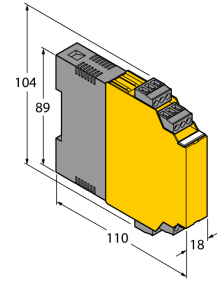
Galvanic isolation	
Test voltage	2.5 kV RMS

Important note	For Ex-applications the values specified in the corresponding Ex certificates (ATEX, IECEx, UL, etc.) apply.
Ex approval acc. to conformity certificate	TÜV 21 ATEX 303590 X
Application area	II (1) G, II (1) D
Ignition protection category	[Ex ia Ga] IIC; [Ex ia Da] IIIC
Ex approval acc. to conformity certificate	TÜV 06 ATEX 552968 X
Application area	II 3 G
Ignition protection type	Ex nA nC [ic Gc] IIC/IIB T4 Gc
Characteristic	linear

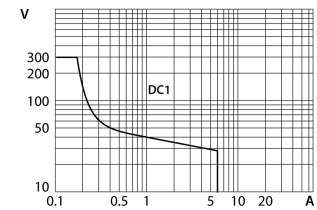
Displays/Operating elements	
Operational readiness	Green
Switching state	Yellow
Error indication	red

Mechanical data	
Protection class	IP20
Flammability class acc. to UL 94	V-0
Ambient temperature	-25...+70 °C
	-25 ... +60 °C für UL, FM, TIIS
Storage temperature	-40...+80 °C
Dimensions	104 x 18 x 110 mm
Weight	155 g
Mounting instructions	DIN rail (NS35) or panel
Housing material	Plastic, Polycarbonate/ABS
Electrical connection	4 x 3-pin removable terminal blocks, reverse polarity protected, screw terminal
Terminal cross-section	1 x 2.5 mm ² /2 x 1.5 mm ²
Tightening torque	0.5 Nm

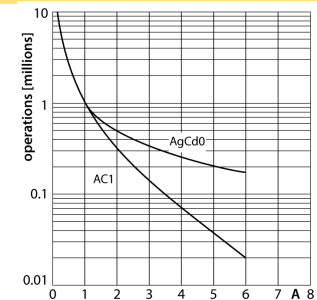
Dimensions



Output relay – Load curve



Output relay – Electrical lifetime



Accessories

Type code	Ident no.		Dimension drawing
IM-CC-3X2BU/2BK	6900475	Cage clamp terminals for IM modules (Ex-devices with 18 mm overall width); includes: 2 pcs. 3-pin blue terminals and 2 pcs. 3-pin black terminals.	