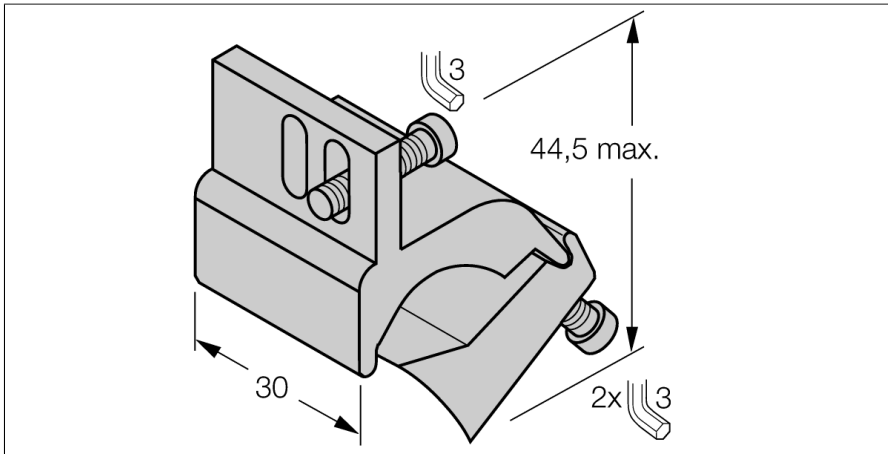


Mounting Accessories

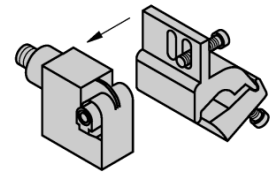
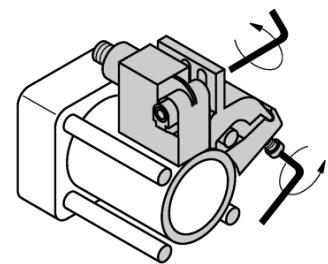
Mounting Bracket

For Tie-Rod Cylinders

KLI6Z



- Mounting on tie-rod cylinders
- Cylinder diameter: 50...125 mm
- Material: Aluminum



Type	KLI6Z
ID	6971806
Design	Accessories, IKE, IKT, IKM
Dimensions	44.5 x 30 mm
Housing material	Metal, AL
Fixing clamp for correspondent cylinder diameter	50...125 mm
Clamping width	6... 13mm