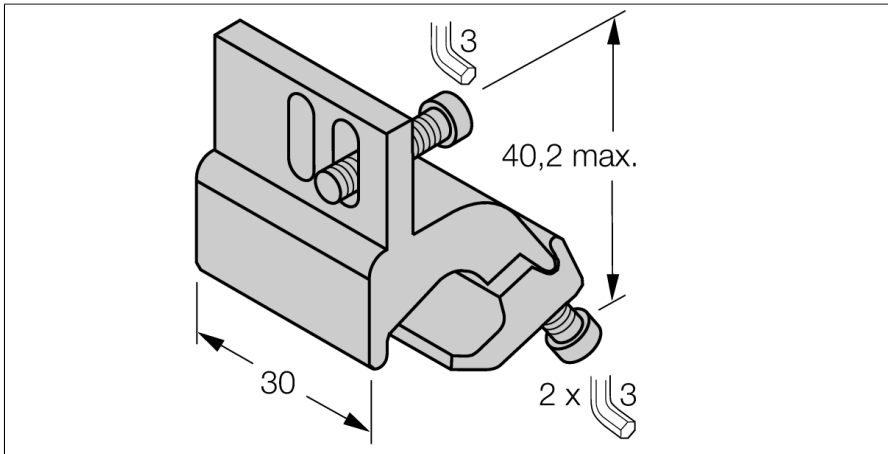


# Mounting Accessories

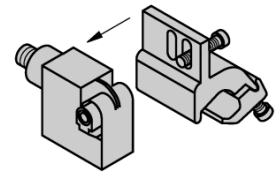
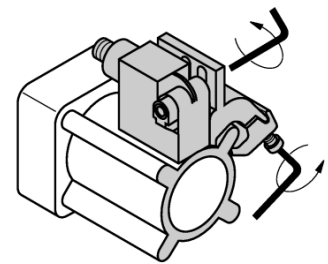
## Mounting Bracket

### For Profile Cylinders

#### KLI5



- Mounting on profile cylinders
- Cylinder diameter: 32...50 mm
- Material: Aluminum



Type	KLI5
ID	6971802
Design	Accessories, IKE, IKT, IKM
Dimensions	40.2 x 30 mm
Housing material	Metal, AL
Fixing clamp for correspondent cylinder diameter	32...50 mm
Clamping width	8... 14mm