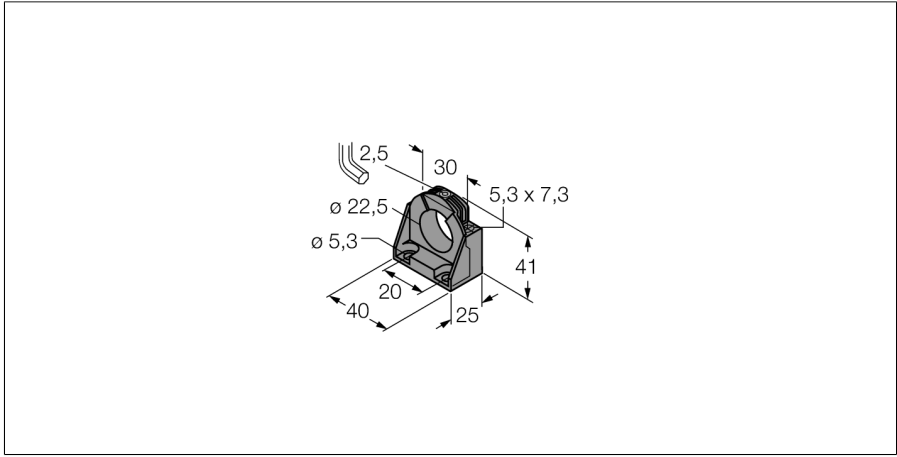


# Accessories

## Mounting Clamp

### BS4-CK40



- Mounting bracket
- GRIVORY GV-4H plastic
- For CK40 model sensors

Type	BS4-CK40
ID	6946006
Design	Accessories for rectangular sensor, CK40
Dimensions	25 x 40 x 41 mm
Housing material	Plastic, PA66+PA6I/6T, MH, 14-140, GF40