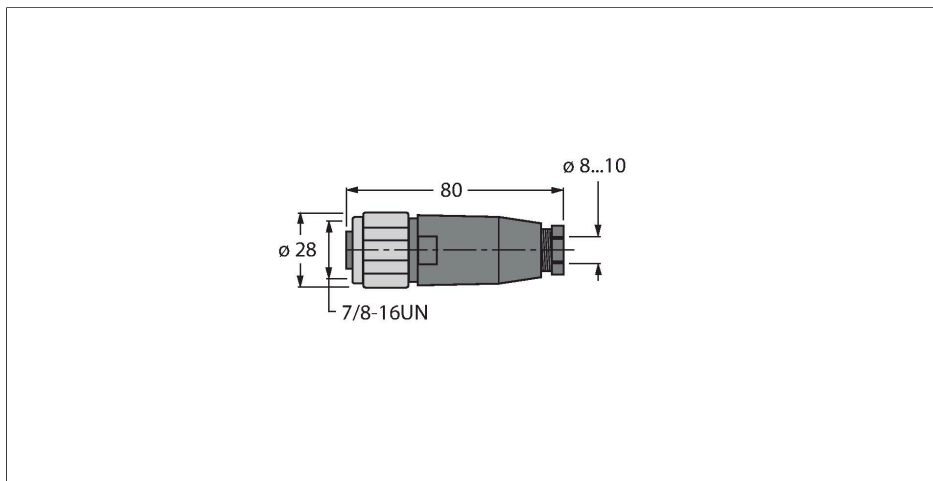


BKV4140-0/11

Field-Wireable Connector

7/8" Female, Straight



Features

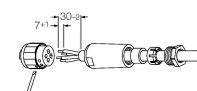


- For use in PROFIBUS-PA and FOUNDATION fieldbus applications
- Screw-clamp terminal
- Stainless steel coupling nut
- 4-pin
- PG11 screw-in thread
- Cable feedthrough 8.0 ... 10.0 mm

Technical data

Type	BKV4140-0/11
ID	6914566
Connector A	Female, 7/8"-16 UN, Straight
Number of pins	4
Contacts	Metal, CuZn, Gold-plated
Contact carriers	Plastic, TPU, Black
Connector body	Plastic, PA, Black
Coupling nut/screw	Stainless Steel, 1.4404, Passivated
Seal	Plastic, NBR
Screw-in thread	PG11
External diameter of the cable	8...10 mm
Core cross-section/Clamping ability	0.14...1 mm ²
Connection mode	Screw/clamp connection
Mechanical lifespan	> 50 Mating cycles
Pollution degree	3
Protection class	IP67, Only in screwed condition
Network protocol	PROFIBUS-PA FOUNDATION fieldbus
Electrical properties at +20 °C	
Rated voltage	250 V
Current	9 A
Insulation resistance	≥ 10 ⁸ Ω
forward resistance	≤ 5 mΩ
Mechanical and chemical properties	
Ambient temperature (fixed)	-40...+90 °C

Contact assignment



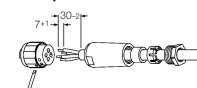
Headline Wiring Diagram

PROFIBUS-PA Connector FOUNDATION fieldbus connector



Heading wiring diagram 3

Composition



Technical data

Ambient temperature (mobile) -40...+90 °C
