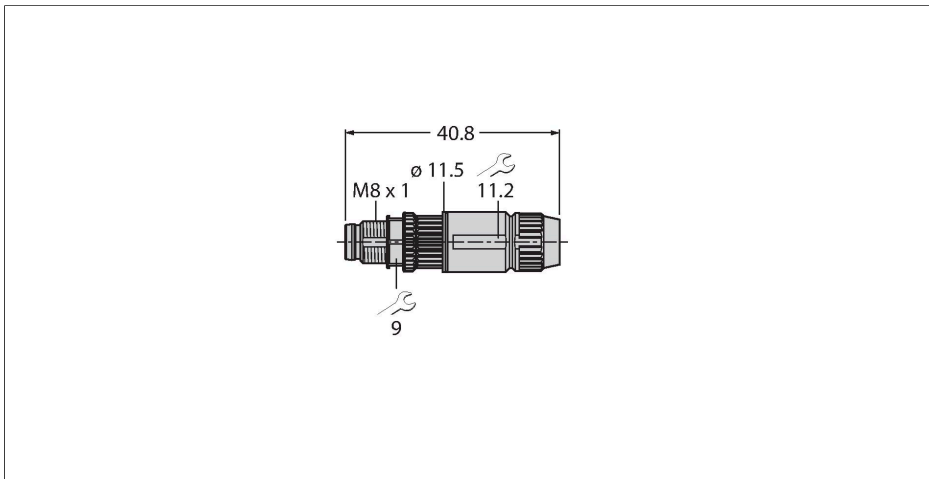


# HAS5131-0

## Field-Wireable Connector

### Male Connector M8 × 1/Ø 8 mm, Straight

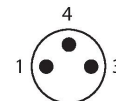


#### Features



- Metal coupling nut
- Protection class IP67
- IDC quick connection
- 3-pin
- Cable feedthrough 2.5...5.1 mm

#### Contact assignment



#### Technical data

Type	HAS5131-0
ID	6905402
Connector A	Male, M8 × 1, Straight
Number of pins	3
Contacts	CuZn, Gold-plated
Contact carriers	Plastic, PA, Black
Connector body	Plastic, PA, Black
Coupling nut/screw	Brass, CuZn
Screw-in thread seal	Plastic, FPM/FKM
External diameter of the cable	2.5...5.1 mm
Core cross-section/Clamping ability	0.14...0.34 mm <sup>2</sup>
Connection mode	Insulation displacement terminal
Protection class	IP67, (screwed together)
<b>Electrical properties at +20 °C</b>	
Rated voltage	32 V
Current	4 A
Insulation resistance	≥ 10 <sup>8</sup> Ω
forward resistance	≤ 5 mΩ
<b>Mechanical and chemical properties</b>	
Ambient temperature (fixed)	-5...+50 °C