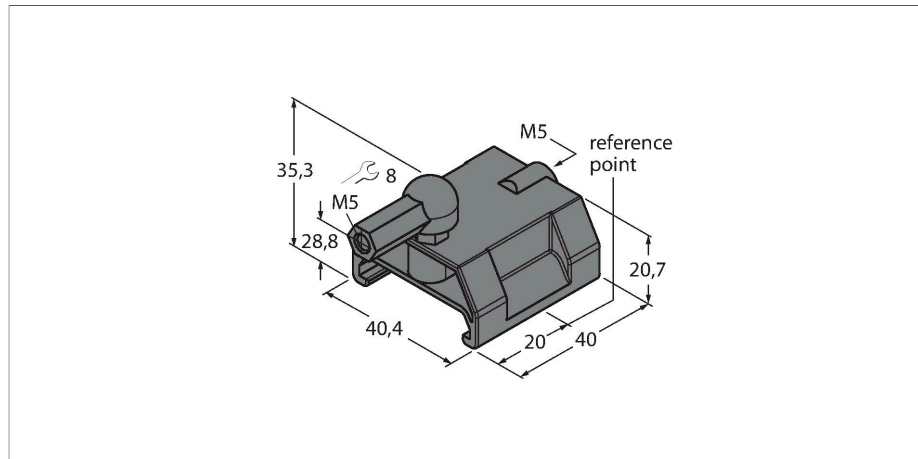


# P1-LI-Q25L

## Accessories – Positioning Element For Linear Position Sensors LI-Q25L



### Features

- Guided positioning element
- This is inserted in the sensor guide groove
- Includes ball joint for flexible mounting

### Technical data

<b>Type</b>	P1-LI-Q25L
Ident. no.	6901041
<b>Design</b>	P1-Li-Q25L
Housing material	Plastic