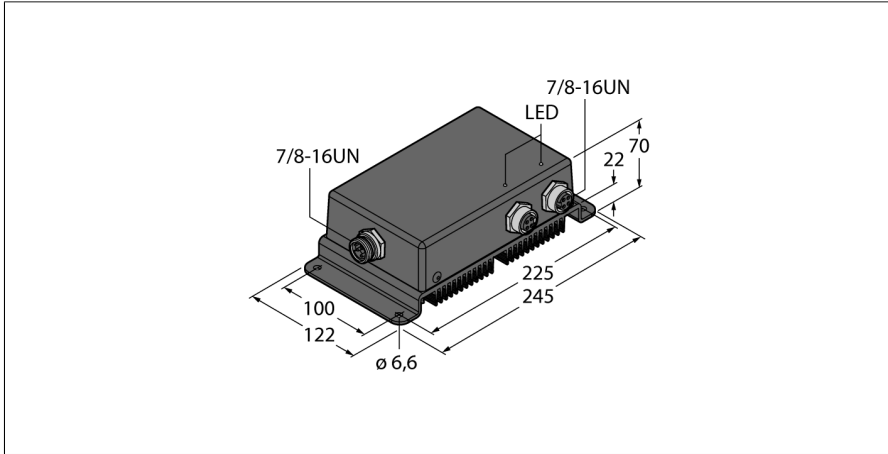


Compact power supply module in IP67

24 VDC output voltage - 2 x 3.8 A output current

PSU67-12-2480/M

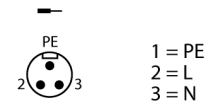


- Broad temperature range
- Status LED

| | |
|------|-----------------|
| Type | PSU67-12-2480/M |
| ID | 6884148 |

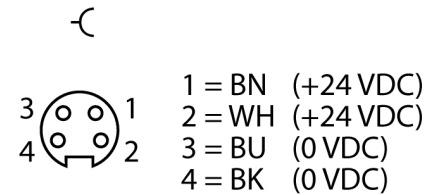
| | |
|----------------------------|-------------------------------|
| Nominal voltage | Universal voltage supply unit |
| Operating voltage | 100...240 VAC |
| Frequency | 50...60 Hz |
| Operating voltage U_o | 100...300 VDC |
| Power consumption | ≤ 205 VA |
| Power dissipation, typical | ≤ 22 W |
| Mains buffering | U_i : 100...240 VAC/ 50 ms |

Input assignment 7/8" (XD1)



| | |
|------------------------|-------|
| Nominal output voltage | 24 V |
| Nominal current | 7.6 A |

7/8" Output Assignment

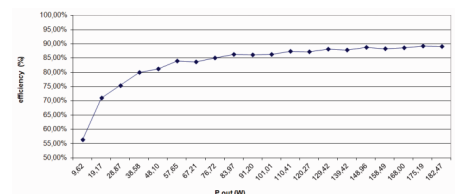


| | |
|-------------------------|------------------|
| Overload protection | 105...130 % |
| Parallel mode | no |
| Ripple | 240 mV |
| Short-circuit behaviour | Current limiting |

| | |
|----------|--|
| Approval | CE-compliant |
| | UL-certified |
| | RoHS-compliant |
| | IEC 60950-1/EN 61010-1/UL60950-1/UL508 (electrical safety) |
| | EN 61000-6-2 (interference immunity) |
| | EN 61000-6-3 (emitted interference) |
| | EN 61000-3-2 (harmonic) |

| | |
|-----------------------|-------|
| Operational readiness | Green |
|-----------------------|-------|

Characteristic



| | |
|-----------------------|--|
| Protection class | IP67 |
| Ambient temperature | -25...+60 °C |
| Storage temperature | -40...+85 °C |
| Derating | 2 %/K from 50 °C |
| Dimensions | 122 x 245 x 70 mm |
| Weight | 3268 g |
| Housing material | Aluminium, ADC-12 |
| Electrical connection | Connector |
| MTTF | 54 years acc. to SN 29500 (Ed. 99) 40 °C |