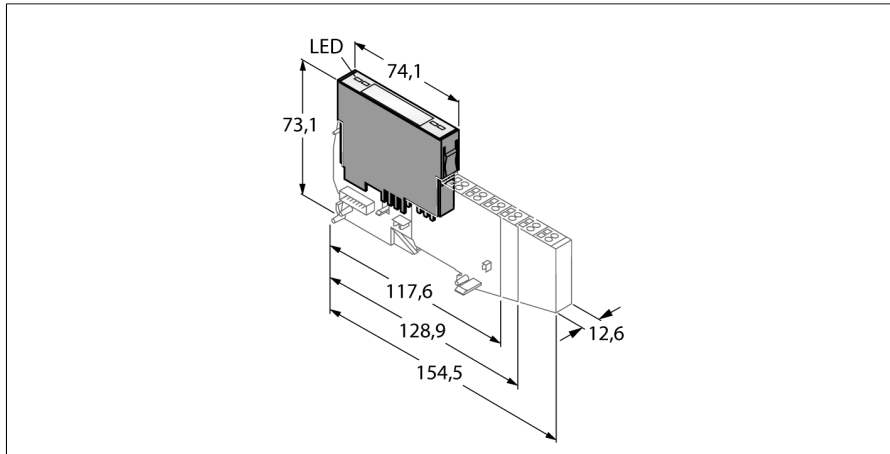


BL20 electronic module

Power module for redundant supply

BL20-BR-24VDC-RED



- Fieldbus and connection technology independent
- Protection class IP20
- LEDs indicating system status, field supply and diagnostic information
- Can be used to form potential groups
- Two modules can be connected in series for redundant power supply of a BL20 system
- BL20 I/O modules and gateway powered with 5 VDC via the internal module bus
- Supplies field with 24 VDC nominal voltage

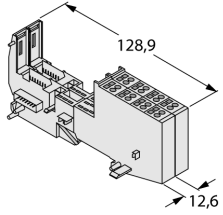
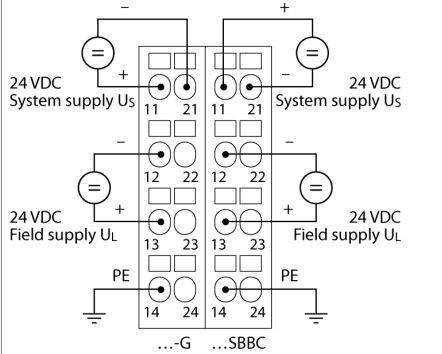
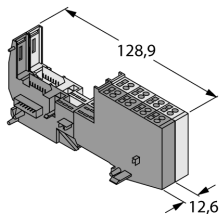
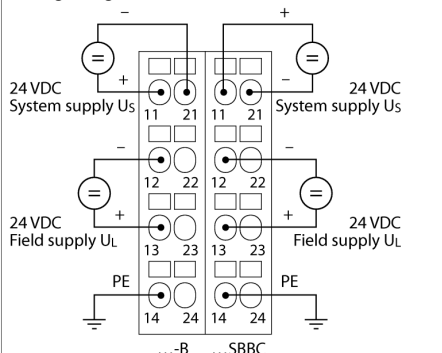
Functional principle

BL20 electronic modules are plugged into the purely passive base modules which are used for connection of field devices. Maintenance is significantly facilitated due to separation of the connection level from the module electronics. Furthermore flexibility is enhanced because the base modules provide a choice of tension spring or screw connection technology.

The electronic modules are completely independent of the type of higher level field bus through the use of gateways.

Type	BL20-BR-24VDC-RED
ID	6827366
System power supply	24 VDC / 5 VDC
Field supply	24 VDC
Admissible range	18...30 VDC
Max. field supply current	5 A
Max. system supply current	0.7 A
Output connectivity	Screw, tension spring
Number of diagnostic bits	4
Dimensions (W x L x H)	12.6 x 74.1 x 55.4 mm
Approvals	CE, cULus
Ambient temperature	0...+55 °C
Storage temperature	-25...+85 °C
Relative humidity	15...95 %, no condensation allowed
Vibration test	Acc. to EN 61131
Shock test	Acc. to IEC 60068-2-27
Drop and topple	Acc. to IEC 60068-2-31
Electromagnetic compatibility	Acc. to EN 61131-2
Protection class	IP20

Compatible base modules

Dimension drawing	Type	Pin configuration
 <p>1. potential group</p>	<p>BL20-P4T-SBBC-G 6827378 Tension spring connection - port 1 next to the gateway</p> <p>BL20-S4T-SBBC 6827050 Tension spring connection - port 2 next to the gateway</p> <p>BL20-P4S-SBBC-G 6827379 Screw connection - port 1 next to the gateway</p> <p>BL20-S4S-SBBC 6827051 Screw connection - port 2 next to the gateway</p>	<p>Wiring Diagram</p> 
 <p>further potential group(s)</p>	<p>BL20-P4T-SBBC-B 6827042 Tension spring connection - port n+1 next to the gateway</p> <p>BL20-S4T-SBBC 6827050 Tension spring connection - port n+2 next to the gateway</p> <p>BL20-P4S-SBBC-B 6827043 Screw connection - port n+1 next to the gateway</p> <p>BL20-S4S-SBBC 6827051 Screw connection - port n+2 next to the gateway</p>	<p>Wiring Diagram</p> 

Compatible Standard Gateways

Ident. no.	Type	Communication	Version and higher	Application
6827234	BL20-GW-DPV1	PROFIBUS-DP slave	FW V1.23	PLC systems with PROFIBUS-DP master.
6827237	BL20-GW-EN	Modbus TCP slave	FW V1.6.0.0	PLC systems with Modbus TCP master or PC based solution (e.g.visualization) using a Modbus TCP driver software.
6827168	BL20-GWBR-DNET	DeviceNet™ slave	FW V7.15	PLC systems with DeviceNet™ master.

Compatible ECO Gateways

Ident. no.	Type	Communication	Version and higher	Application
6827329	BL20-E-GW-EN	Multiprotocol Ethernet slave (PROFINET, EtherNet/IP™ and Modbus TCP)	FW V3.1.0.0	PLC systems with PROFINET, EtherNet/IP™ or Modbus TCP, as well as PC based solution (e.g.visualization) using a Modbus TCP driver software.
6827380	BL20-E-GW-EC	EtherCAT® slave	FW V1.0.2.0	SPS systems with EtherCAT® master
6827381	BL20-E-GW-RS-MB/ET	RS232/RS485 device, Modbus RTU slave	FW V1.0.0.0	PLC systems with Modbus RTU master, RS232 or RS485 master.

Compatible CODESYS V2.3 programmable gateways

Ident. no.	Type	Communication	Version and higher	Application
6827249	BL20-PG-EN	Modbus TCP slave	TSP V2.0.0.0	CODESYS V2.3 programmable gateway for implementation of self-sustaining control solutions or remote signal pre-processing. The connection to PLC systems with Modbus TCP Master or PC based applications (e.g. visualization) using a Modbus TCP driver software is optionally available.
6827248	BL20-PG-EN-IP	EtherNet/IP™ slave	TSP V2.0.0.0	CODESYS V2.3 programmable gateway for implementation of self-sustaining control solutions or remote signal pre-processing. The connection to PLC systems with EtherNet/IP™ master is optionally available.

Accessories

Type code	Ident no.		Dimension drawing
ZBW5-2BETÄTIGUNGSWE	6827106	Tension spring tool	