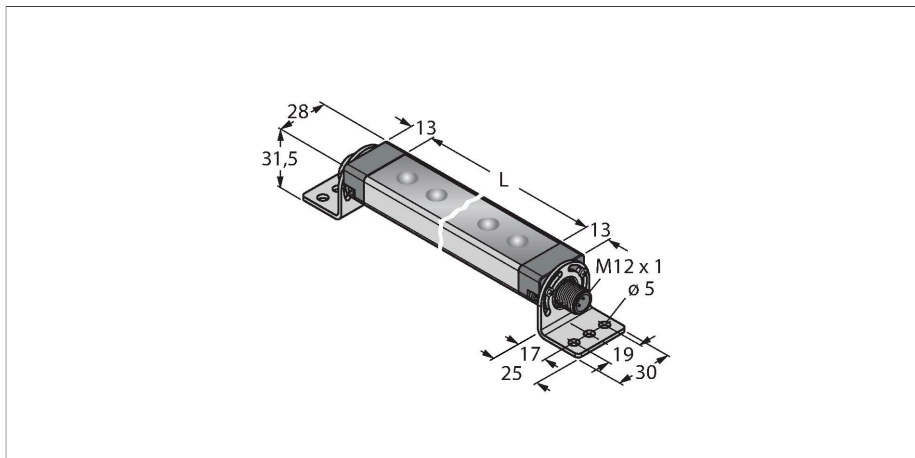


WLS28PXRGBW145DXQ

LED Linear Light – In the Metal Housing



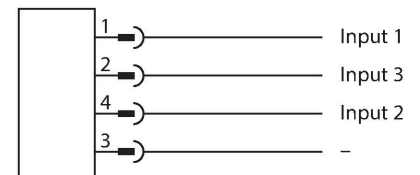
Technical data

Type	WLS28PXRGBW145DXQ
ID	3810987
Signal and display data	
Purpose	LED work light
Function	Linear light
Light type	RGB
Luminous flux lumen	325 lm
Aperture angle degree	60 °
Beam angle	wide beam 40-80°
LED service life (L70)	50000 h
Dimmable	Programmable
Features of color 1	RGBW
Special features	I/O module-compatible
Electrical data	
Operating voltage U_B	18...30 VDC
DC rated operating current I_o	≤ 330 mA
Input power	3.96 W
Communication protocol	BannerBus (Pro Editor compatible)
Response time typical	< 300 ms
Mechanical data	
Cascadable	No
Design	Rectangular, WLS28-2
Dimensions	186 x 28 x 21 mm
Housing material	Metal, AL
Window material	Polycarbonate, diffuse
Electrical connection	Connector, M12 × 1
Number of cores	4

Features

- Light beam: 145mm
- Operating voltage: 12...30 VDC
- Protection class: IP50
- RGB LEDs
- Multicolor linear light
- Parameterization via Pro Editor software
- SMBWLS28RA mounting bracket included in delivery

Wiring diagram



Functional principle

These lights have RGB LEDs. Three input signals enable one of seven predefined light colors or light animations to be controlled when using the standard settings. The logic table shows which input needs to be connected:

- State 1 = white
- State 2 = green
- State 3 = red
- State 4 = yellow
- State 5 = blue stands out, background white
- State 6 = white, ends flashing red
- State 7 = warm white

Using the Pro Editor software, these lights can be user defined in the advanced settings.

Technical data

Ambient temperature	-40...+50 °C
Storage temperature	-40...+70 °C
Relative humidity	0...90 %
Protection class	IP50
Tests/approvals	
Approvals	CE, UL

	Input 1	Input 2	Input 3
State 1	x		
State 2		x	
State 3			x
State 4	x	x	
State 5	x		x
State 6		x	x
State 7	x	x	x

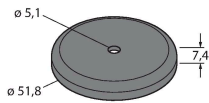
Light Length	Typical Current			Maximum Current
	18 VDC	25 VDC	30 VDC	A
145 mm	0.240	0.180	0.150	0.275
285 mm	0.480	0.360	0.300	0.550
430 mm	0.720	0.540	0.450	0.825
570 mm	0.960	0.720	0.600	1.100
850 mm	1.440	1.080	0.900	1.650
1130 mm	1.920	1.440	1.200	2.200

Accessories

SMBWLSMAG

3019574

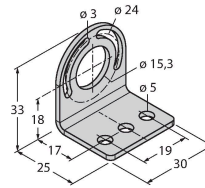
Magnetic fixture for mounting work lights and sensors, 2 pieces



SMBWLS28RA

3015764

Mounting bracket, angled, metal, for WLS28 work lights, 5 mm drill holes, screw set included



SMBWLS28SP

3088063

Snap bracket for mounting WLS28 work lights

