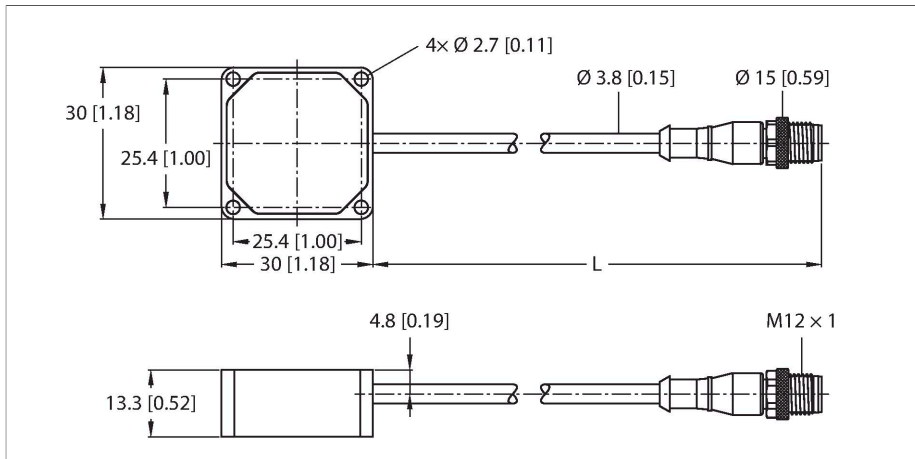


QM30VT2

Vibration & Temperature Sensor – With Serial Interface

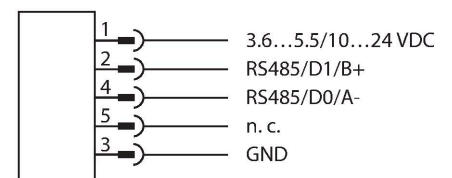
Modbus RTU



Features

- For detecting temperature and vibration values
- Robust aluminum housing
- Protection class IP67
- PVC cable, 2.09 m, with M12 × 1 male connector, 5-pin
- Shock resistant up to 400 g
- BWA-BK-022 mounting plate kit included in delivery
- Temperature measuring range: -40...105 °C
- Resolution: 1 °C
- Accuracy: ± 3 °C
- Vibration measuring range: 0...46 mm/s RMS
- Frequency range: 10...4000 Hz
- Accuracy: ± 10 % at 25 °C
- Operating voltage: 10...24 VDC or 3.6...5.5 VDC
- RS485 interface, supports Modbus RTU

Wiring diagram



Functional principle

This sturdy sensor in a metal housing was developed to monitor vibrations and the temperature of moving machine parts. The data can be transferred to a controller via the RS485 interface, thus enabling an imminent failure of the machine to be identified at an early stage and corrective action to be taken. The rugged housing is IP67-rated and

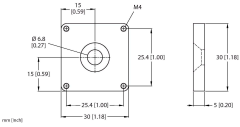
Technical data

Type	QM30VT2
ID	3806276
Wireless data	
Function	Vibration sensor
Device type	Sensor
I/O data	
Communication protocol	Modbus RTU RS485
Electrical data	
Operating voltage	10...24 VDC
Mechanical data	
Design	Rectangular, QM30VT
Dimensions	30 x 13.25 x 30 mm
Housing material	Aluminium, AL, Black-finished
Electrical connection	Cable with connector, M12 × 1, 2.09 m
Antenna connection	No radio participant
Ambient temperature	-40...+105 °C
Protection class	IP67
Tests/approvals	

allows the detection of vibrations on two axes. The sensor can be mounted or stuck on the machine with the relevant accessories.

Accessories

BWA-QM30-FTAL 3810633



Mounting plate kit for QM30VT sensors, aluminum, screw set and self-adhesive foil included

Accessories

Dimension drawing	Type	ID	
	BWA-HW-006	3081325	Converter cable, RS485 to USB 2.0 converter, female connector, M12 × 1, 5-pin, male connector, USB type A, length 1 m; supplies the connected device with 10 V. An external power supply via a Y-splitter (6634679) is recommended for the connected device