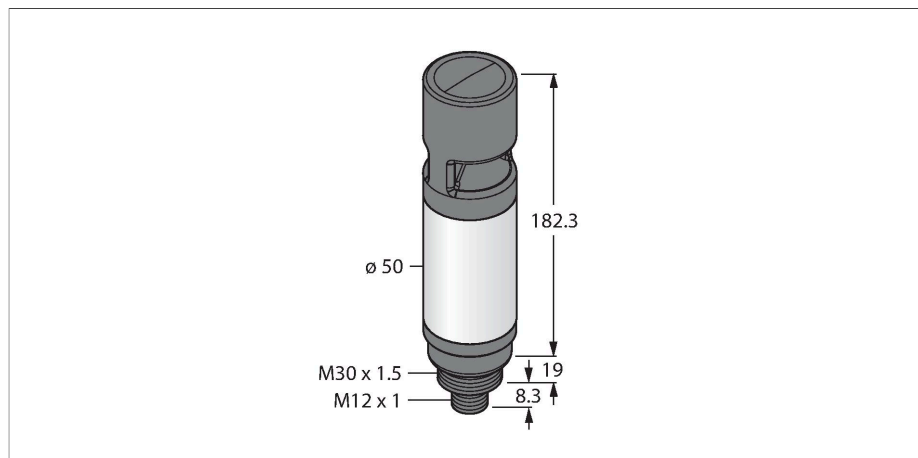


CL50GRXAOS3PQ

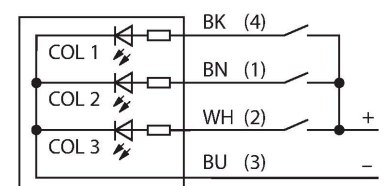
LED Signal Light – Tower Light



Features

- LED tower light with buzzer and volume control
- Individually controllable
- Mechanical screw-in thread M30 x 1.5
- Protection class IP67
- Multicolor: Green (COL 1) / Red (COL 2)

Wiring diagram



Functional principle

Multicolor multifunction acoustic signaller
 Rugged and well-priced LED tower, easy to install
 Illuminated segments for clear operator guidance and display of system status.
 Display of up to 3 colors.
 Compact devices, no controller required
 No mounting
 The wiring diagram shows the PNP input configuration. An instruction leaflet with detailed information about the connection is included with the devices.

Technical data

Type	CL50GRXAOS3PQ
ID	3084961
Signal and display data	
Purpose	LED indicator light
Function	Tower light
Light type	Green Red
Dimmable	No
Features of color 1	Green, Permanently on, 72 lm
Features of color 2	Red, Permanently on, 38 lm
Acoustic signal	Pulsed, 99 dB
Electrical data	
Operating voltage U_b	18...30 VDC
Max. current consumption per color	100 mA
Max. current consumption of beeper	45 mA
Input type	PNP
Response time typical	< 10 ms
Mechanical data	
Cascadable	No
Design	Smooth barrel, CL50
Dimensions	Ø 50 x 182.2 mm
Housing material	Plastic, ABS/Polycarbonate, Black
Window material	Polycarbonate, diffuse
Electrical connection	Connector, M12 x 1, PVC
Number of cores	5
Ambient temperature	-20...+50 °C
Relative humidity	0...95 %

Technical data

Protection class IP67

Tests/approvals

Approvals CE, UL listed

Accessories

Dimension drawing	Type	ID	
	RKC4.5T-2/TEL	6625016	Connection cable, M12 female connector, straight, 5-pin, cable length: 2 m, jacket material: PVC, black; cULus approval
	WKC4.5T-2/TEL	6625028	Connection cable, M12 female connector, angled, 5-pin, cable length: 2 m, jacket material: PVC, black; cULus approval