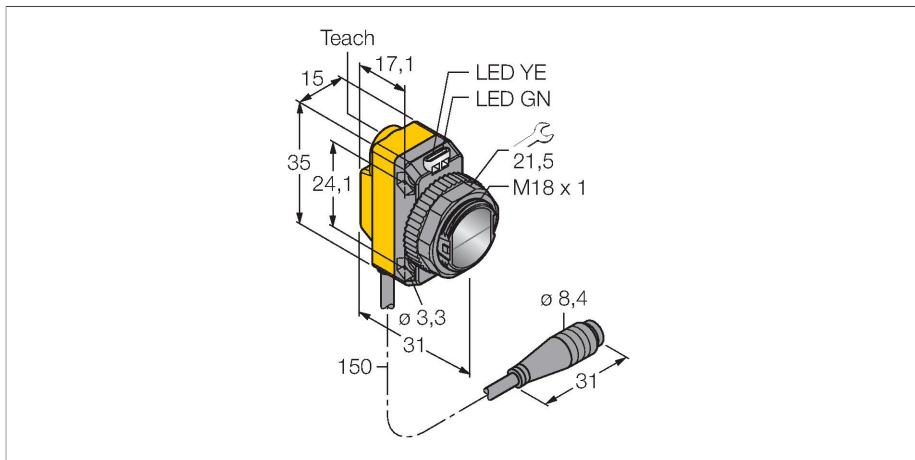


QS18EP6DQ

Photoelectric Sensor – Diffuse Mode Sensor



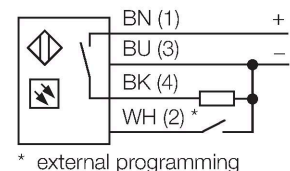
Technical data

Type	QS18EP6DQ
ID	3069210
Optical data	
Function	Proximity switch
Operating mode	Diffuse
Light type	IR
Wavelength	940 nm
Range	0...800 mm
Electrical data	
Operating voltage	10...30 VDC
DC rated operational current	≤ 100 mA
No-load current	≤ 35 mA
Reverse polarity protection	yes
Output function	NO contact, PNP
Switching frequency	≤ 833 Hz
Readiness delay	≤ 100 ms
Response time typical	< 0.6 ms
Setting option	Push Button Remote Teach
Mechanical data	
Design	Rectangular with thread, QS18
Dimensions	Ø 18 x 31 x 15 x 35 mm
Housing material	Plastic, ABS
Lens	plastic, PMMA
Electrical connection	Cable with connector, M8 × 1, 0.15 m, PVC
Number of cores	4
Ambient temperature	-20...+70 °C

Features

- Cable with male end, PVC, M8 × 1, 4-pin, 150 mm
- Protection class IP67
- LED all-round visible
- Sensitivity adjusted via teach button
- Operating voltage: 10...30 VDC
- PNP switching output
- Light or dark operation

Wiring diagram



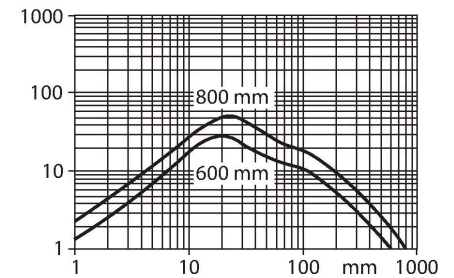
Functional principle

Identical to retro-reflective sensors, emitter and receiver circuitry are incorporated in the same housing of the diffuse mode sensors. However, diffuse mode sensors do not detect the interruption of the light beam but the reflection of the target. A target is detected if it reflects sufficient light back to the receiver. The switching distance of diffuse mode sensors thus largely depends on the reflectivity of the target. This type of sensor is especially suited for detection of transparent objects (diffuse mode sensor with or without background suppression or convergent mode sensors).

Technical data

Protection class	IP67
Special features	keep/defer
Power-on indication	LED, Green
Switching state	LED, Yellow
Error indication	LED, green, Flashing
Excess gain indication	LED
Alarm display	LED yellow Flashing
Tests/approvals	
Approvals	CE, cURus

Excess gain curve
Excess gain in relation to the distance



Accessories

SMB18A 3033200

Mounting bracket, rectangular, stainless steel, for sensors with 18 mm thread

Technical drawing details: 30, 41, 26, 46, 6, 4.6, 18.5, 4.6, R24.2

SMB18AFAM10 3012558

Mounting bracket, material VA 1.4401, for M10 x 1.5 thread, thread length 18 mm

Technical drawing details: 76, 23, 51, 19, 16, 51, 19.8, 16, 34, 18, 55, 4, 8, M10

SMBQS18A 3069721

Mounting bracket, stainless steel, for 18 mm thread

Technical drawing details: 41, 21, 19.4, 24.9, M18 x 1

SMB18SF 3052519

Mounting bracket, PBT black, for sensors with 18 mm thread, rotatable

Technical drawing details: 11.7, 50.8, 43.2, 25.4, 36.1, 5, M18 x 1, 18

Accessories

Dimension drawing	Type	ID	
<p>Technical drawing details: M8 x 1, 9.6, 33.5, 50, L</p>	PKG4M-2/TEL	6625061	Connection cable, female M8, straight, 4-pin, cable length: 2 m, sheath material: PVC, black; cULus approval; other cable lengths and qualities available, see www.turck.com

Dimension drawing

Type
PKW4M-2/TELID
6625067

Connection cable, female M8, angled,
4-pin, cable length: 2 m, sheath
material: PVC, black; cULus approval;
other cable lengths and qualities
available, see www.turck.com

