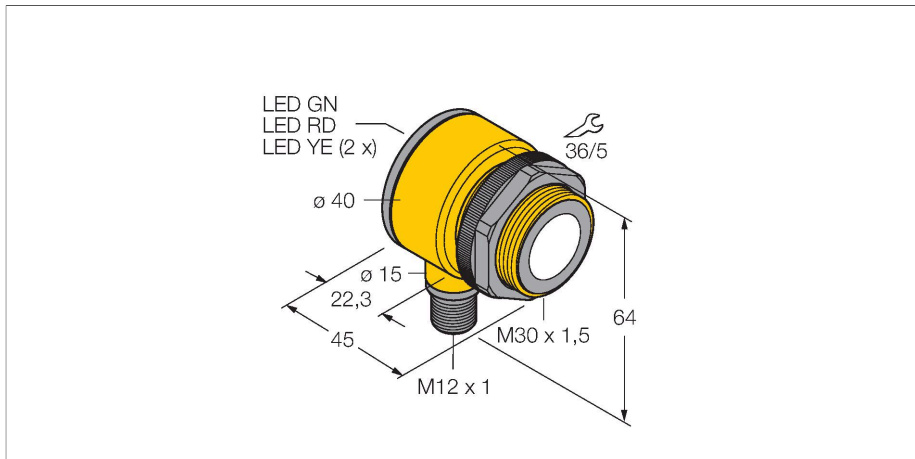


# T30UINAQ

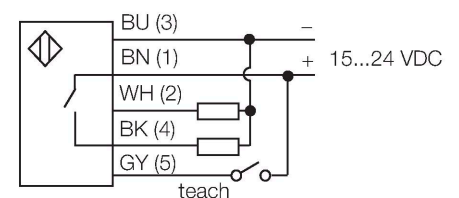
## Ultrasonic Sensor – diffuse mode sensor With Analog Output



### Features

- Compact design
- Connection via male M12 x 1
- Operating voltage 15...24 VDC
- PNP transistor output and analog output for current
- Measuring range adjustable via teach-in
- Blind zone: 15 cm
- Range: 100 cm

### Wiring diagram



### Functional principle

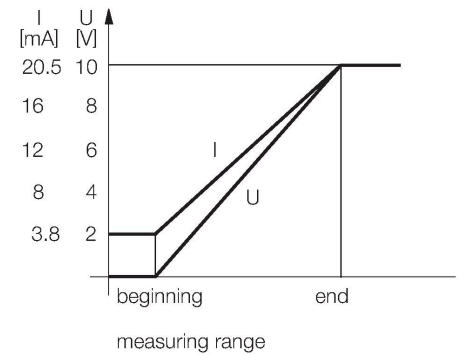
Ultrasonic sensors detect a multitude of objects contactless and wear-free with ultrasonic waves. Regardless of whether the object is transparent or opaque, metallic or non-metallic, liquid, solid or powdery. Even environmental conditions such as spray, dust or rain hardly affect their function.

### Technical data

Type	T30UINAQ
ID	3055978
<b>Ultrasonic data</b>	
Function	Proximity switch
Range	150...1000 mm
Ultrasound frequency	228 kHz
Repeatability	≤ ± 0.375 mm
Temperature drift	≤ 0.2 % of full scale/K
<b>Electrical data</b>	
Operating voltage $U_B$	15...24 VDC
Response time typical	< 48 ms
Output function	NO contact, PNP/Analog output
Current output	4...20 mA
Switching frequency	≤ 20 Hz
Hysteresis	≤ 2.5 mm
<b>Mechanical data</b>	
Design	Tube, T30U
Radiation direction	straight
Dimensions	Ø 40 x 45 mm
Housing material	Plastic, PBT
Transducer material	Plastic, Epoxyd resin and PU foam
Electrical connection	Connector, M12 × 1, PVC
Ambient temperature	-20...+70 °C
Relative humidity	100 %
Protection class	IP67

## Technical data

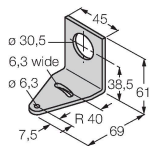
Power-on indication	LED
Switching state	LED, Yellow
Object detected	LED, Red
<b>Tests/approvals</b>	
MTTF	246 years acc. to SN 29500 (Ed. 99) 40 °C
Approvals	CE



## Accessories

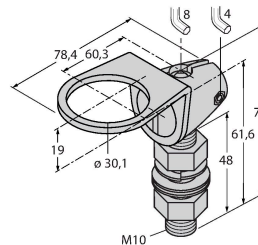
**SMB30A** 3032723

Mounting bracket, rectangular, stainless steel, for sensors with 30mm thread



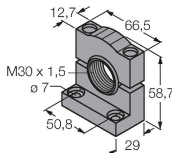
**SMB30FAM10** 3011185

Mounting bracket, stainless steel, for M10 x 1.5 thread, thread length 30 mm



**SMB30SC** 3052521

Mounting bracket, PBT black, for sensors with 30 mm thread, rotatable



## Accessories

Dimension drawing	Type	ID	
	WKC4.5T-2/TEL	6625028	Connection cable, M12 female connector, angled, 5-pin, cable length: 2 m, jacket material: PVC, black; cULus approval
	RKC4.5T-2/TEL	6625016	Connection cable, M12 female connector, straight, 5-pin, cable length: 2 m, jacket material: PVC, black; cULus approval

Dimension drawing	Type	ID	
	RKS4.5T-2/TEL	6626361	Connection cable, M12 female connector, straight, 5-pin, cable length: 2 m, jacket material: PVC, black; shielded; cULus approval
	WKS4.5T-2/TEL	6626364	Connection cable, M12 female connector, angled, 5-pin, cable length: 2 m, jacket material: PVC, black; shielded; cULus approval