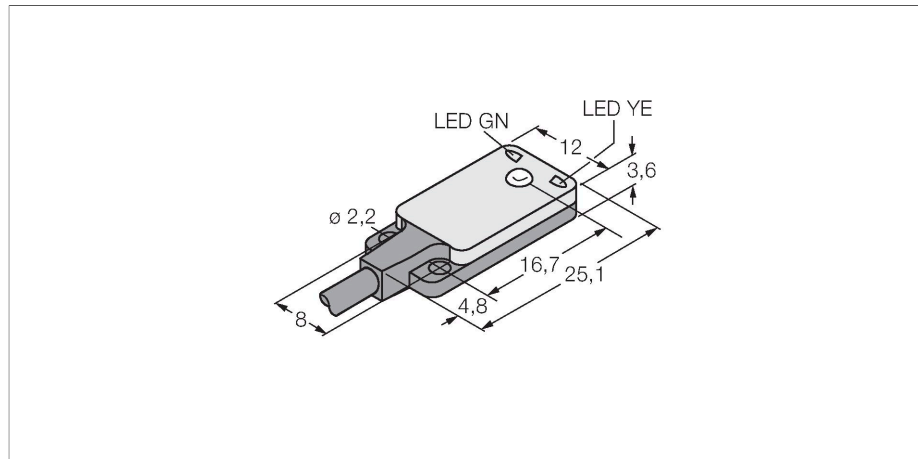


VS2RN5R

Photoelectric Sensor – Opposed Mode Sensor (Receiver)

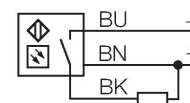
Miniature Sensor



Features

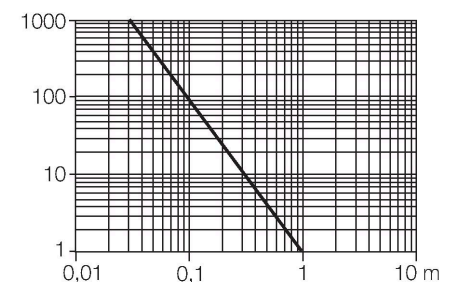
- Cable, 2 m, 3-wire
- Operating voltage: 10...30 VDC
- Ultra flat design
- NPN switching output, dark operation

Wiring diagram



Functional principle

Opposed mode sensors consist of an emitter and receiver. They are installed opposite each other so that the light from the emitter is aimed directly at the receiver. When an object interrupts or weakens the light beam, the sensor switches. Opposed mode sensors are the most reliable photoelectric sensors for detection of opaque targets. An excellent contrast between light and dark conditions and an extremely high excess gain are typical of this sensing mode, thus allowing operation over larger distances and under difficult conditions. Excess gain in relation to the distance



Technical data

Type	VS2RN5R
ID	3055403
Optical data	
Function	Opposed mode sensor
Operating mode	Receiver
Wavelength	940 nm
Range	0...3000 mm
Electrical data	
Operating voltage	10...30 VDC
Residual ripple	< 10 % U _{ss}
DC rated operational current	≤ 50 mA
Short-circuit protection	yes
Reverse polarity protection	yes
Output function	NO contact, NPN
Switching frequency	≤ 500 Hz
Readiness delay	≤ 100 ms
Response time typical	< 1 ms
Mechanical data	
Design	Rectangular, VS2
Dimensions	4.7 x 12 x 25.1 mm
Housing material	Plastic, Thermoplastic material
Lens	plastic, MABS
Electrical connection	Cable, 2 m, PVC
Number of cores	3
Core cross-section	0.34 mm ²
Ambient temperature	-20...+55 °C

Technical data

Protection class	IP67
Power-on indication	LED, Green
Switching state	LED, Yellow
Error indication	LED, green, Flashing
Excess gain indication	LED
Alarm display	LED yellow Flashing
Tests/approvals	
Approvals	CE

Accessories

SMBVS2RA	3058603
mounting bracket, straight	