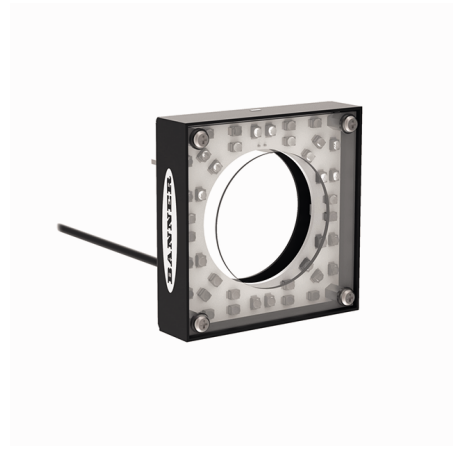
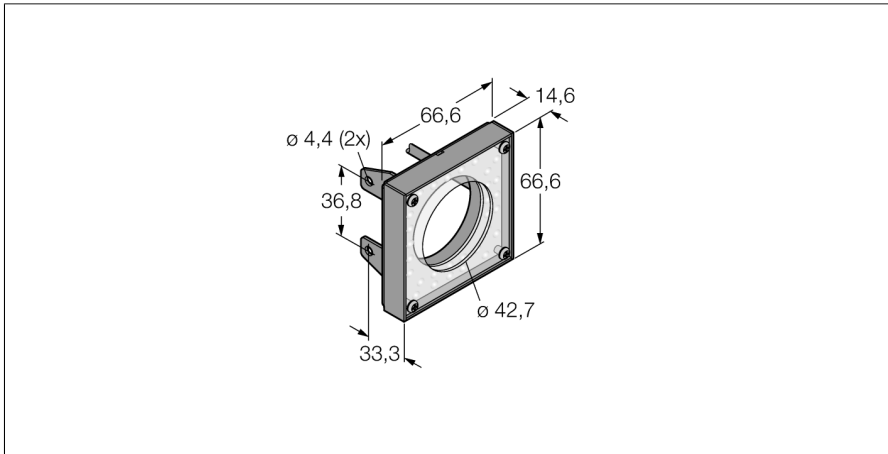


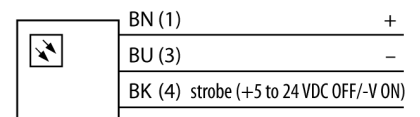
# Vision System ring light LEDIRM62X62W



Type	LEDIRM62X62W
ID	3012406
<b>Signal and display data</b>	
Purpose	Image processing
Function	Area light
Light type	IR
Wavelength	850...940 nm
LED service life (L70)	20000 h
<b>Electrical data</b>	
Operating voltage $U_s$	24 VDC
DC rated operating current $I_s$	$\leq 100$ mA
Max. current consumption per color	100 mA
<b>Mechanical data</b>	
Design	Rectangular
Housing material	Metal, Low-carbon steel
Window material	Acrylic, clear
Electrical connection	Cable, 2 m, PVC
Number of cores	3
Ambient temperature	0...+50 °C
Protection class	IP20
<b>Tests/approvals</b>	
Approvals	CE, cULus listed

- Close-range illumination
- Protection class: IP20
- Color: infrared
- Power supply: 24 VDC
- Cable, 2 m

### Wiring Diagram



### Functional principle

Directly mounted to the sensor for easy setup. Illumination of objects directly in front of the sensor.