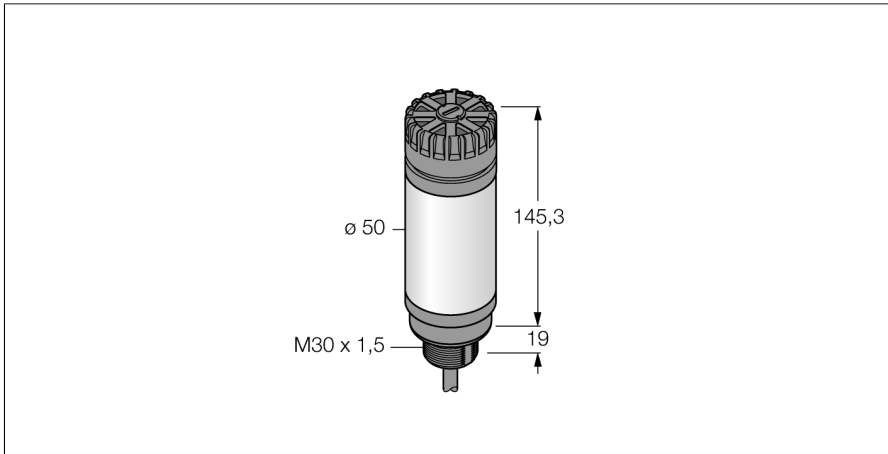
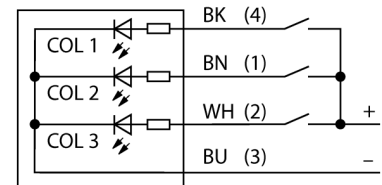


LED Signal Light Tower Light CL50XRAP



- With beeper
- Individually controllable
- M30 × 1.5 mechanical screw-in thread
- Monochrome: Red (COL 2)
- Cable, 2m
- Operating voltage 10...30 VDC
- Beeper max. 92 dB

Wiring Diagram



Type	CL50XRAP
ID	3010487

Signal and display data	
Purpose	LED indicator light
Function	Tower light
Light type	Red
Dimmable	No
Features of color 1	Red, Permanently on, 38 lm
Acoustic signal	Continuous tone, 92dB

Electrical data	
Operating voltage U_s	18...30 VDC
Max. current consumption per color	100 mA
Max. current consumption of beeper	25 mA
Input type	PNP
Response time typical	< 10 ms

Mechanical data	
Cascadable	No
Design	Smooth barrel, CL50
Dimensions	Ø 50 x 145.3 mm
Housing material	Plastic, ABS/Polycarbonate, Black
Window material	Polycarbonate, diffuse
Electrical connection	Cable, 2 m, PVC
Number of cores	5
Ambient temperature	-20...+50 °C
Relative humidity	0...95%
Protection class	IP50

Tests/approvals	
Approvals	CE, UL listed

General description

Multicolor multifunction acoustic signaller
Rugged and well-priced LED tower, easy to install
Illuminated segments for clear operator guidance and display of system status.
Display of up to 3 colors.
Compact devices, no controller required
No mounting
The wiring diagram shows the PNP input configuration. An instruction leaflet with detailed information about the connection is included with the devices.