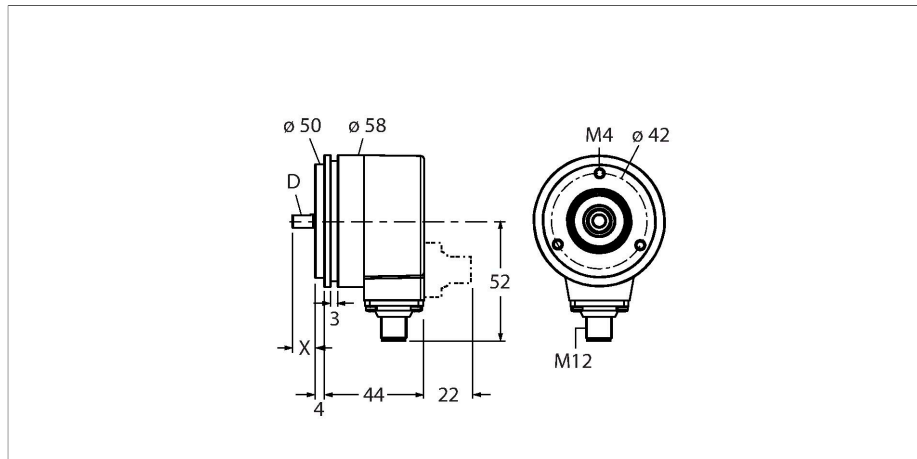


# RS-24S6S-3C13B-H1181

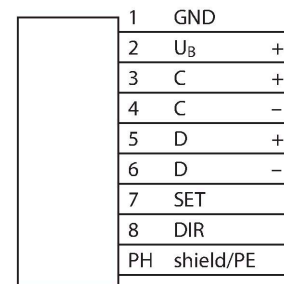
## Absolute Rotary Encoder - Single-Turn Industrial Line



### Features

- Synchro flange, Ø 58 mm
- Solid shaft, Ø 6 mm × 10 mm
- Optical measuring principle
- Shaft material: stainless steel
- IP67 rated on shaft side
- -40...+70 °C
- Max. 9000 rpm
- 10...30 VDC
- SSI, gray
- M12 × 1 male, 8-pin
- 360° resolved in 13 bit (8192 positions)

### Wiring diagram



### Technical data

<b>Type</b>	RS-24S6S-3C13B-H1181
Ident. no.	1545236
<b>Measuring principle</b>	Photoelectric
Max. Rotational Speed	9000 rpm
Moment of inertia of the rotor	3 x 10 <sup>-6</sup> kgm <sup>2</sup>
Starting torque	< 0.05 Nm
Measuring range	0...360°
Ambient temperature	-40...+70 °C
Operating voltage	10...30 VDC
No-load current	≤ 45 mA
Output current	≤ 20 mA
Short-circuit protection	yes
Wire breakage/Reverse polarity protection	yes
Communication protocol	SSi
Output function	Gray coded
Output type	absolute singleturn
Resolution single-turn	13 Bit
Signal level high	typ. 3.8 V
Signal level low	typ. 1.3 V (20 mA load)
<b>Design</b>	Solid shaft
Flange type	Synchro flange
Flange diameter	Ø 58 mm
Shaft Type	Solid shaft
Shaft diameter D (mm)	6
Shaft length X	10 mm
Shaft material	Stainless steel

## Technical data

Housing material	Die-cast zinc
Electrical connection	Connectors, M12 × 1
	8-pin
Axial shaft load	40 N
Radial shaft load	80 N
Vibration resistance (EN 60068-2-6)	100 m/s <sup>2</sup> , 55...2000 Hz
Shock resistance (EN 60068-2-27)	2500 m/s <sup>2</sup> , 6 ms
Protection class housing	IP67
Protection class shaft	IP67

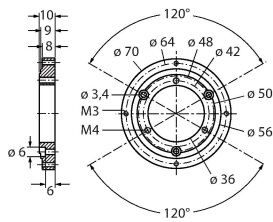
Signal	Gnd	+U <sub>B</sub>	C+	C-	D+	D-	SET	DIR	Shield / PE
Pin configuration	1	2	3	4	5	6	7	8	PH

## Accessories

<p><b>RFA-2</b></p>	<p><b>1544631</b></p> <p>Aluminium flange adapter, rectangular, for solid shaft encoders with clamping flange; edge length 63.5 mm; 3 mm thick</p>	<p><b>RFA-4</b></p>	<p><b>1544633</b></p> <p>Euro flange – aluminium flange adapter for solid shaft encoders, Ø 115 mm; reference diameter 100 mm; adapts 58 mm clamping flange to Euro flange</p>
<p><b>RFA-6</b></p>	<p><b>1544635</b></p> <p>Aluminium flange adapter for solid shaft encoders with clamping flange, Ø 58 mm; adapts clamping flange to synchro flange</p>	<p><b>RFA-7</b></p>	<p><b>1544636</b></p> <p>Aluminium flange adapter for solid shaft encoders, Ø 65 mm; adapts to Ø 65 mm flange and 48 mm reference diameter</p>
<p><b>RFA-8</b></p>	<p><b>1544637</b></p> <p>Aluminium flange adapter for solid shaft encoders with clamping flange, Ø 70 mm; thickness 4 mm, adapts to Ø 70 mm flange</p>	<p><b>RFA-9</b></p>	<p><b>1544638</b></p> <p>Aluminium angle flange for solid shaft encoders with Ø 58 mm clamping flange</p>

## RFA-11

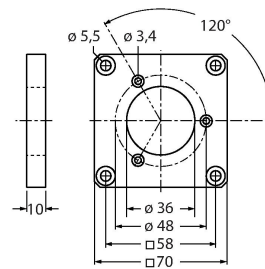
1544640



Aluminium flange adapter for solid shaft encoders with clamping flange, Ø 70 mm; thickness 10 mm, adapts to Ø 70 mm flange

## RFA-12

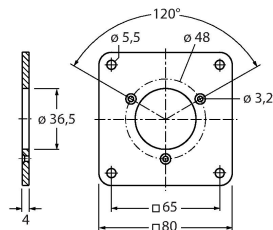
1544641



Aluminium flange adapter, rectangular, for solid shaft encoders with clamping flange; edge length 70 mm; 10 mm thick

## RFA-13

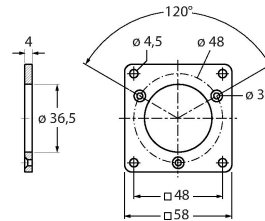
1544642



Aluminium flange adapter, rectangular, for solid shaft encoders with clamping flange; edge length 80 mm; 4 mm thick

## RFA-1

1544630



Aluminium flange adapter, rectangular, for solid shaft encoders with clamping flange; edge length 58 mm; 4 mm thick