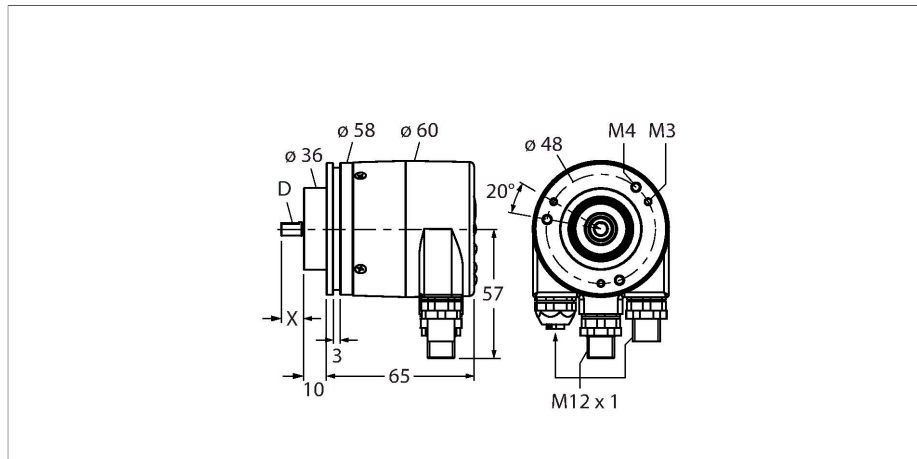


RS-25S6C-9A16B-R3M12

Absolute Rotary Encoder - Single-Turn Industrial Line



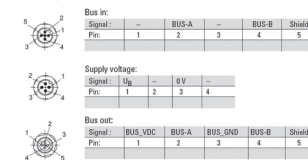
Features

- Clamping flange, $\varnothing 58$ mm
- Solid shaft, $\varnothing 6$ mm \times 10 mm
- Optical measuring principle
- Shaft material: stainless steel
- Protection class IP67 on shaft side
- $-40 \dots +80$ °C
- Max. 3000 rpm
- Profibus
- Removable bus cover with male connector, 3 \times M12
- 360° resolved in 16 bit (65536 positions)
- Scalable, default value 13 bit

Technical data

Type	RS-25S6C-9A16B-R3M12
Ident. no.	1544363
Measuring principle	Photoelectric
Max. Rotational Speed	3000 rpm
Moment of inertia of the rotor	3×10^{-6} kgm ²
Starting torque	< 0.05 Nm
Measuring range	0...360°
Ambient temperature	$-40 \dots +80$ °C
Operating voltage	10...30 VDC
No-load current	≤ 110 mA
Wire breakage/Reverse polarity protection	yes
Communication protocol	PROFIBUS-DP
Output type	absolute singleturn
Resolution single-turn	16 Bit
	scalable
Design	Solid shaft
Flange type	Clamping flange
Flange diameter	$\varnothing 58$ mm
Shaft Type	Solid shaft
Shaft diameter D (mm)	6
Shaft length X	10 mm
Shaft material	Stainless steel
Housing material	Die-cast zinc
Electrical connection	Bus connection
	3 \times M12
Axial shaft load	80 N

Wiring diagram



Technical data

Radial shaft load	80 N
Vibration resistance (EN 60068-2-6)	100 m/s ² , 55...2000 Hz
Shock resistance (EN 60068-2-27)	2500 m/s ² , 6 ms
Protection class housing	IP67
Protection class shaft	IP67

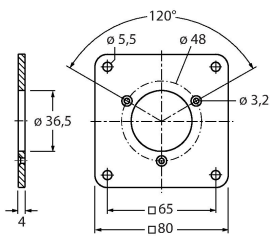
Signal	BUS-A in	BUS-B in	Shield out	BUS_VDC out	BUS-A out	BUS_GND out	BUS-B out	Shield out	-
Signal -Pin	BUS in 2	BUS in 4	BUS in 5	BUS out 1	BUS out 2	BUS out 3	BUS out 4	BUS out 5	-
Power	U _b	-	0V	-	-	-	-	-	-
Power- Pin	1	2	3	4	5	-	-	-	-

Accessories

<p>RFA-2</p>	<p>1544631</p> <p>Aluminium flange adapter, rectangular, for solid shaft encoders with clamping flange; edge length 63.5 mm; 3 mm thick</p>	<p>RFA-4</p>	<p>1544633</p> <p>Euro flange – aluminium flange adapter for solid shaft encoders, Ø 115 mm; reference diameter 100 mm; adapts 58 mm clamping flange to Euro flange</p>
<p>RFA-6</p>	<p>1544635</p> <p>Aluminium flange adapter for solid shaft encoders with clamping flange, Ø 58 mm; adapts clamping flange to synchro flange</p>	<p>RFA-7</p>	<p>1544636</p> <p>Aluminium flange adapter for solid shaft encoders, Ø 65 mm; adapts to Ø 65 mm flange and 48 mm reference diameter</p>
<p>RFA-8</p>	<p>1544637</p> <p>Aluminium flange adapter for solid shaft encoders with clamping flange, Ø 70 mm; thickness 4 mm, adapts to Ø 70 mm flange</p>	<p>RFA-9</p>	<p>1544638</p> <p>Aluminium angle flange for solid shaft encoders with Ø 58 mm clamping flange</p>
<p>RFA-11</p>	<p>1544640</p> <p>Aluminium flange adapter for solid shaft encoders with clamping flange, Ø 70 mm; thickness 10 mm, adapts to Ø 70 mm flange</p>	<p>RFA-12</p>	<p>1544641</p> <p>Aluminium flange adapter, rectangular, for solid shaft encoders with clamping flange; edge length 70 mm; 10 mm thick</p>

RFA-13

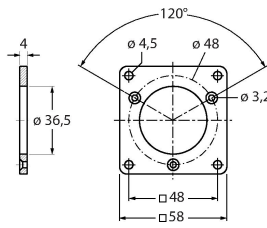
1544642



Aluminium flange adapter, rectangular, for solid shaft encoders with clamping flange; edge length 80 mm; 4 mm thick

RFA-1

1544630



Aluminium flange adapter, rectangular, for solid shaft encoders with clamping flange; edge length 58 mm; 4 mm thick