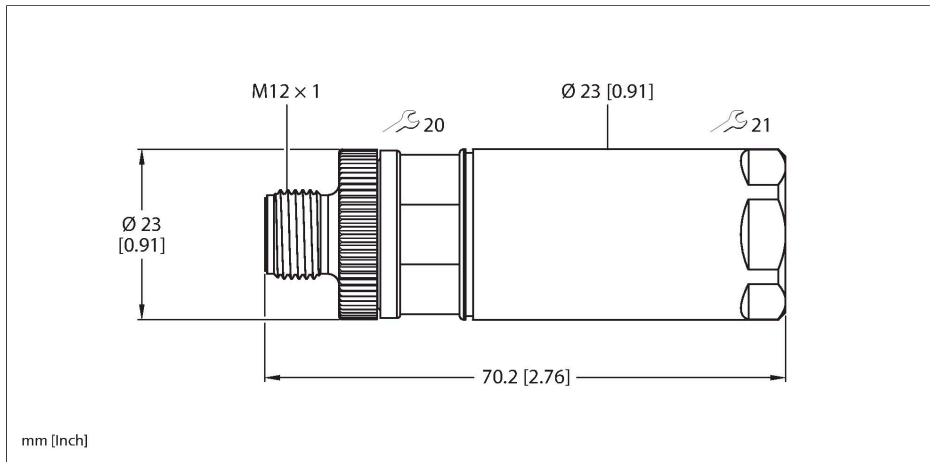


FW-ERSSM0414-PS-P-0611

Field-Wireable Connector – M12 Power Male Connector M12 × 1, Straight



Technical data

Type	FW-ERSSM0414-PS-P-0611
ID	100045553
Connector A	Male, M12 × 1, Straight, S-coded
Number of pins	3+PE
Contacts	CuZn, Gold-plated
Contact carriers	Plastic, PA, Black
Connector body	Brass, Nickel-plated, Gray
Coupling nut/screw	Brass, CuZn-Ni, Nickel-plated
External diameter of the cable	6...11 mm
Core cross-section/Clamping ability	0.75...2.5 mm ²
Connection mode	Push-in connection
Mechanical lifespan	> 100 Mating cycles
Protection class	IP67, (screwed together)
Electrical properties at +20 °C	
Rated voltage	630 V _{AC}
Current	16 A
Mechanical and chemical properties	
Ambient temperature (fixed)	-40...+85 °C

Features



- S coding
- Metal retaining screw
- Push-in connection
- 4-pin (3+PE)
- Cable feedthrough: 6.0...11.0 mm
- Shieldable
- Terminal capacity:
 - Max. 1.5 mm² or 16 AWG (without cable end sleeve)
 - Max. 2.5 mm² or 14 AWG (without cable end sleeve)

Contact assignment

