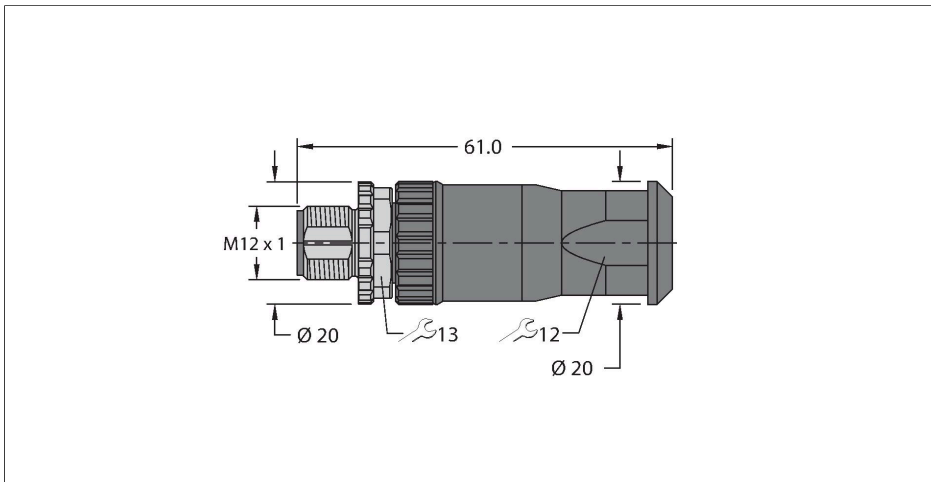


FW-ERSPM0516-SA-S-0408

Field-Wireable Connector

Male Connector M12 × 1, Straight

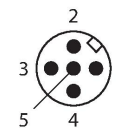


Features



- Screw-clamp terminal
- A-coding
- 5-pin
- Cable feedthrough: 4.0...8.0 mm
- Terminal capacity: 0.25...1.5 mm²
- Approval: cULus

Contact assignment



Technical data

Type	FW-ERSPM0516-SA-S-0408
ID	100002289
Replaces	100000589
Connector A	Male, M12 × 1, Straight, A-coded
Number of Pins	5
Contacts	CuZn, Gold-plated
Contact carriers	Plastic, PA, UL 94, Black
Connector body	Plastic, PA6 GF, UL 94, Black
Coupling nut/screw	Brass, CuZn, Nickel-plated
Seal	Plastic
Tightening torque (range)	0.4 ... 0.4 Nm (observe max. torque of mating connector!)
Screw-in thread seal	FPM/FKM
External diameter of the cable	4...8 mm
Core cross-section/Clamping ability	0.25...1.5 mm ²
Connection mode	Screw/clamp connection
Mechanical lifespan	> 100 Mating cycles
Protection class	IP67, (screwed together)
Electrical properties at +20 °C	
Rated voltage	60 V
Current	4 A
Mechanical and chemical properties	
Ambient temperature range (stationary)	-40...+85 °C
Approvals	cULus